

CD Technical Data Sheet

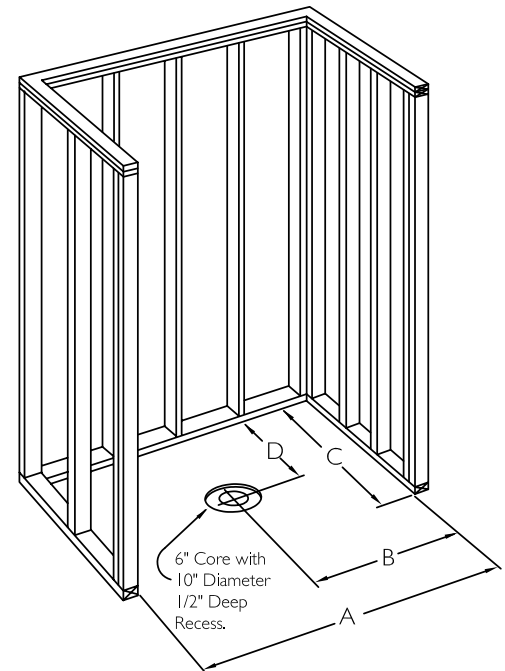
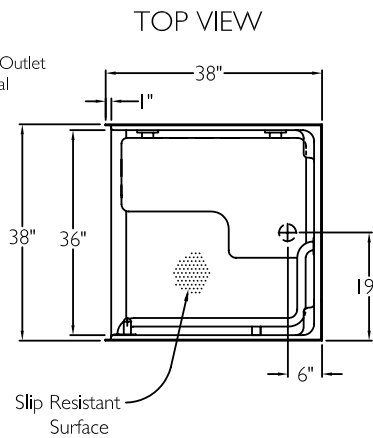
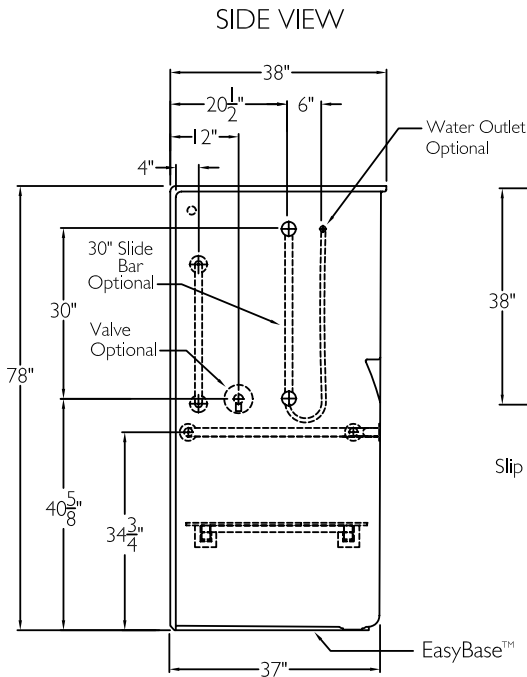
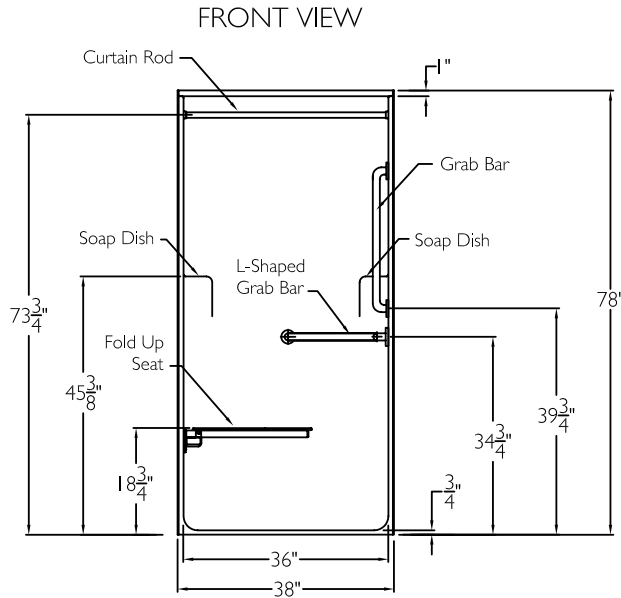
ACCESSIBLE SSS3838BF .75

NOTE: For ADA/ANSI compliance, pressure balancing mixing valve, hand-held shower with slide bar, vacuum breaker and 60' hose must be installed per ADA/ANSI guidelines.

TECHNICAL INFORMATION

OD 38" x 38" x 78"
 ID 36" x 36" center point
 LOAD FACTOR 1.06
 HANDED BY Valve Wall

ACCESSIBLE
 Enhancing Livable Design



FRAMING DIMENSIONS

A 38.25" B 19.125"
 C 38" D 6"

ADDITIONAL CODES

BOCA, NAHB, UPC, Southern Building Code

CROSS SECTION OF THRESHOLD

Coordinate Finished Floor Height For Code. Finished Floor May Be No More Than 1/4" Below The Top Of Compartment Threshold.

