

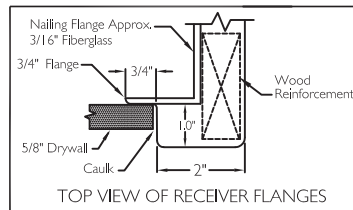
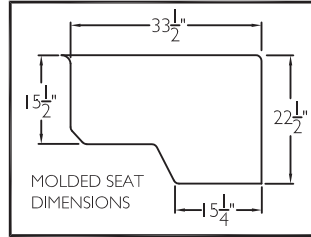
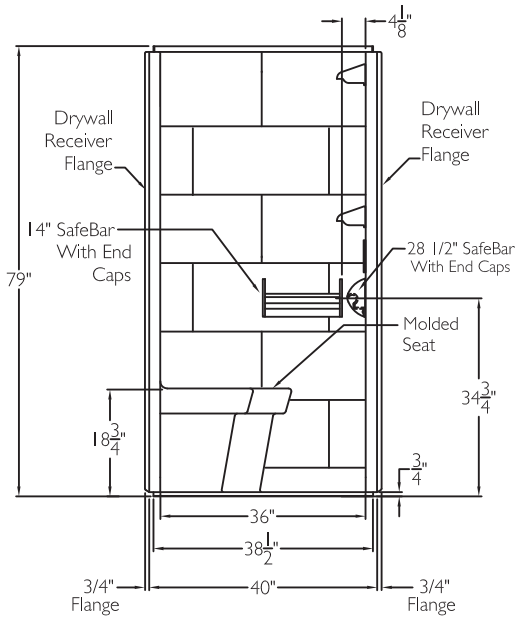
CD Product Sheet

ONE SOURCE

XST 3838 TR .75 MS RF ADA PHYC

ONE SOURCE
Enhancing Livable Design

FRONT VIEW



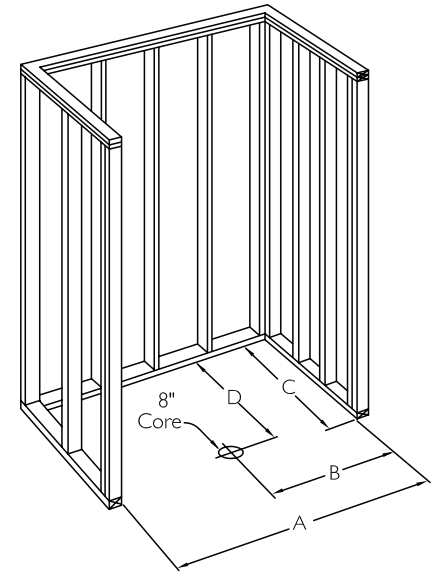
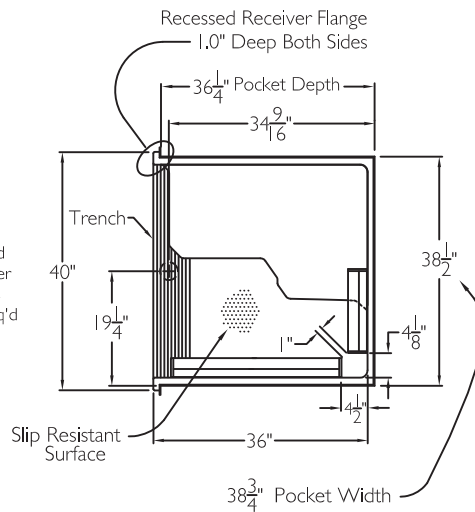
TECHNICAL INFORMATION

OD 38.5" x 37.25" x 79"

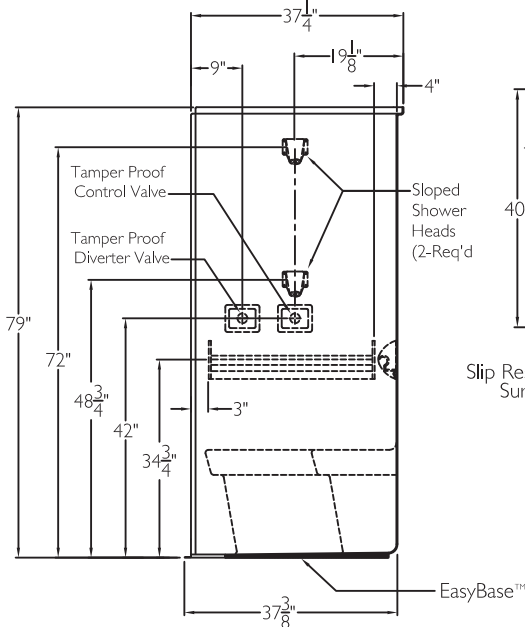
LOAD FACTOR 1.1

HANDED BY Seat

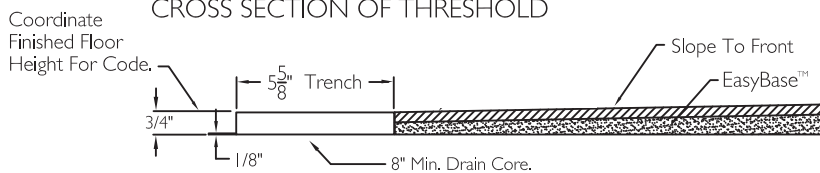
TOP VIEW



SIDE VIEW



CROSS SECTION OF THRESHOLD



FRAMING DIMENSIONS

A 38.75" B 19.375"

C 36.25" D 34.5"

ADDITIONAL CODES

ANSI Z124.1-2, ANSI A117.1, ADA, HUD, BOCA, NAHB, UPC, Southern Building Code

cd
comfortdesigns

comfortdesignsbathware.com | 800.443.7269