

CD Technical Data Sheet

ACCESSIBLE

XSS3636SH 4.0

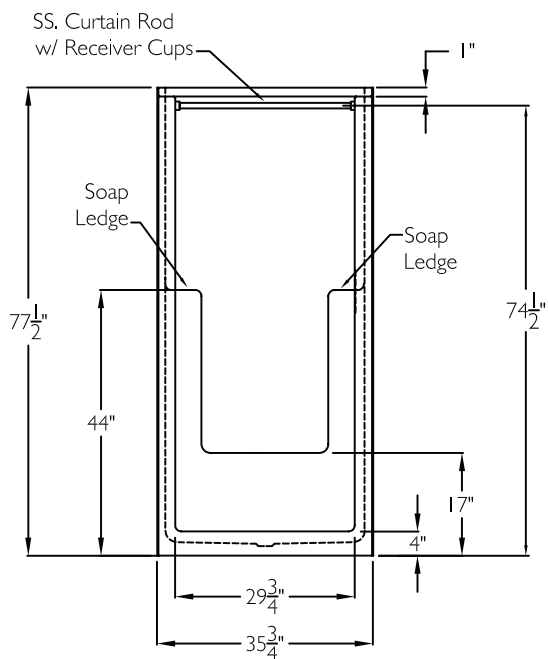
ACCESSIBLE
Enhancing Livable Design

TECHNICAL INFORMATION

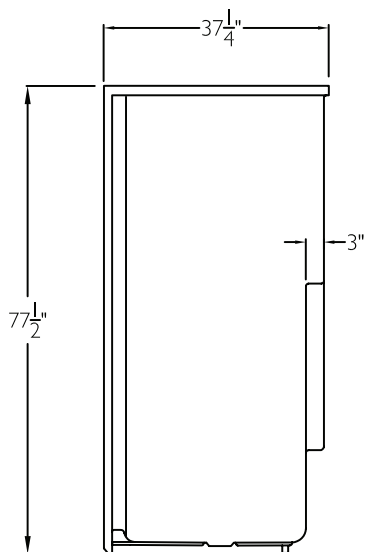
OD 35.75" x 37.25" x 77.5"

HANDED BY Center Drain

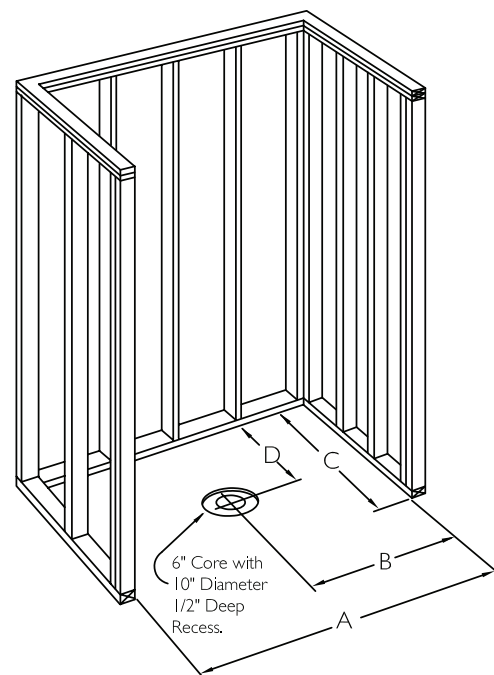
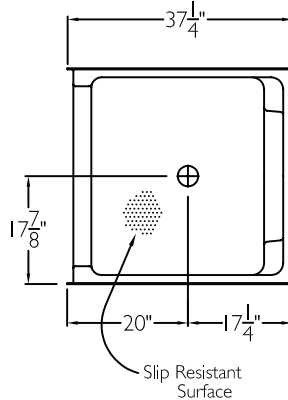
FRONT VIEW



SIDE VIEW



TOP VIEW



FRAMING DIMENSIONS

A 36" B 18"
C 37.25" D 17.25"

ADDITIONAL CODES

ICC/ANSI 117.1, ANSI 24.2, BOCA, NAHBUPC, Southern Building Code

