

# CD Technical Data Sheet

ACCESSIBLE

**SSS3636SH 4.0**

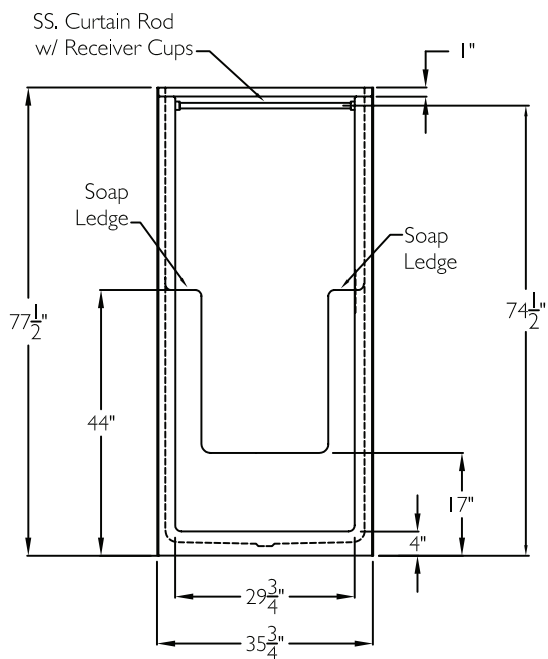
**ACCESSIBLE**  
Enhancing Livable Design

## TECHNICAL INFORMATION

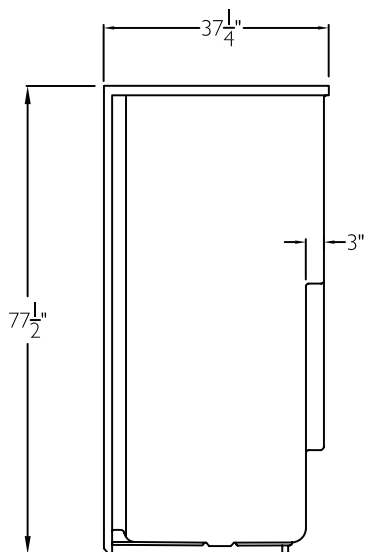
OD 35.75" x 37.25" x 77.5"

HANDED BY Center Drain

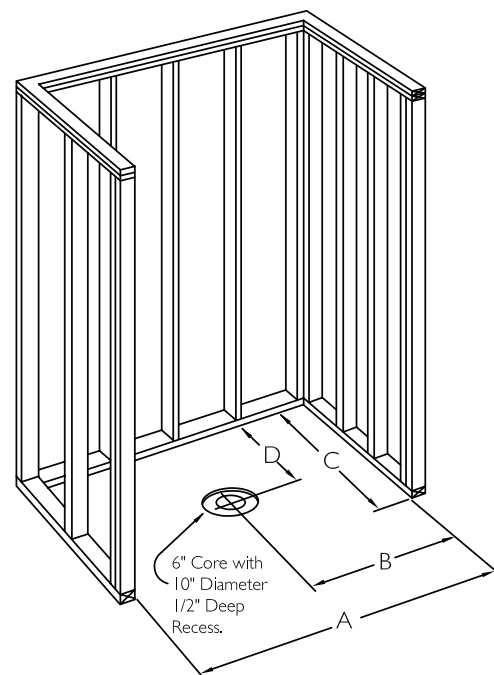
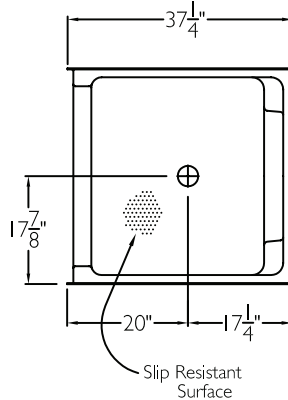
FRONT VIEW



SIDE VIEW



TOP VIEW



## FRAMING DIMENSIONS

A 36"    B 18"  
C 37.25"    D 17.25"

## ADDITIONAL CODES

ICC/ANSI 17.1, ANSI 24.2, BOCA, NAHBUPC, Southern Building Code

**cd**  
comfortdesigns

comfortdesignsbathware.com | 800.443.7269