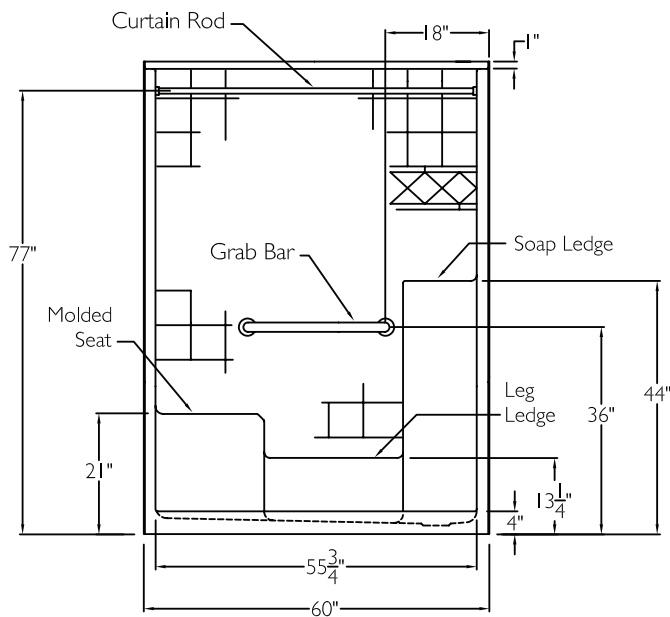


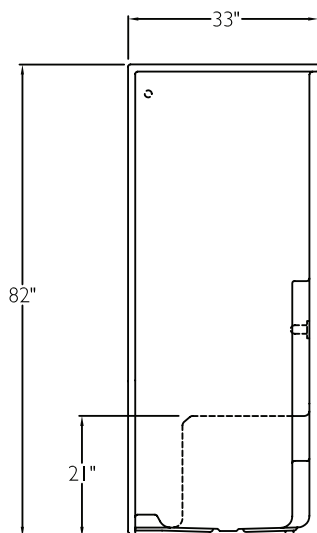
CD Product Sheet  
**ONE SOURCE**  
**XST 6032 SH MS HOSP**

**ONE SOURCE**  
 Enhancing Livable Design

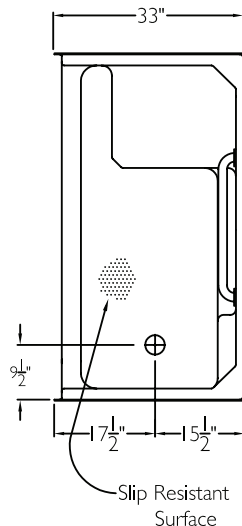
FRONT VIEW



SIDE VIEW



TOP VIEW

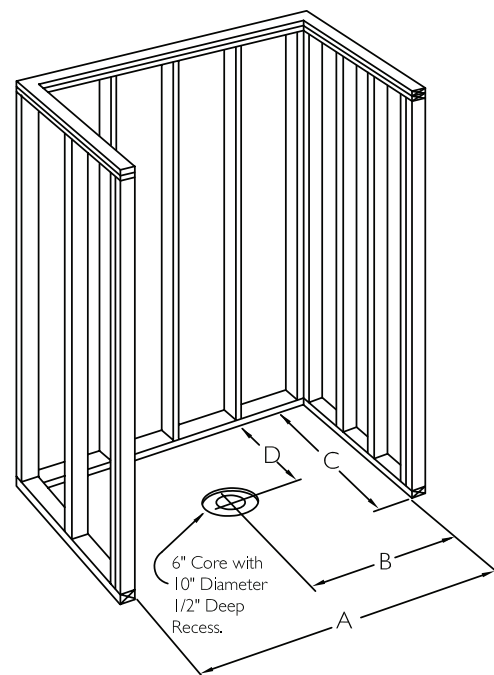


TECHNICAL INFORMATION

OD 62" x 33" x 82"

LOAD FACTOR 1.26

HANDED BY Seat



FRAMING DIMENSIONS

A 60.25" B 9.625"  
 C 33" D 15.5"

ADDITIONAL CODES

ANSI Z124.1-2, HUD, BOCA, NAHB,  
 UPC, Southern Building Code

