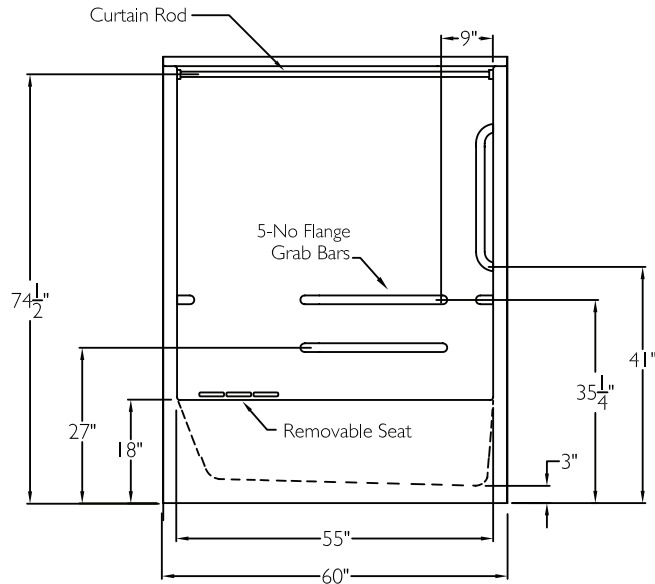


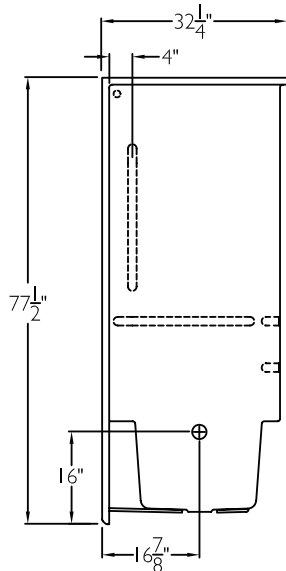
CD Product Sheet
ONE SOURCE
XSS 6092 TS ADA

ONE SOURCE
 Enhancing Livable Design

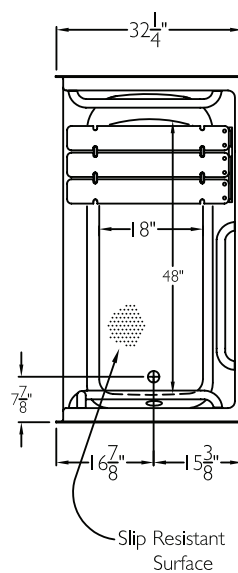
FRONT VIEW



SIDE VIEW



TOP VIEW

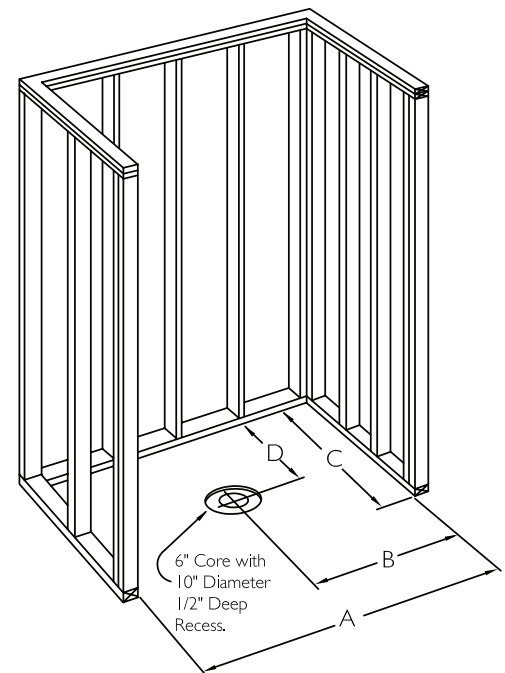


TECHNICAL INFORMATION

OD 60" x 32.25" x 77.5"

LOAD FACTOR 1.26

HANDED BY Drain



FRAMING DIMENSIONS

A 60.25" B 8"

C 32.25" D 15.375"

ADDITIONAL CODES

ANSI Z124.1-2, ANSI A117.1, ADA,
 HUD, BOCA, NAHB, UPC, Southern
 Building Code

cd
 comfortdesigns

comfortdesignsbathware.com | 800.443.7269