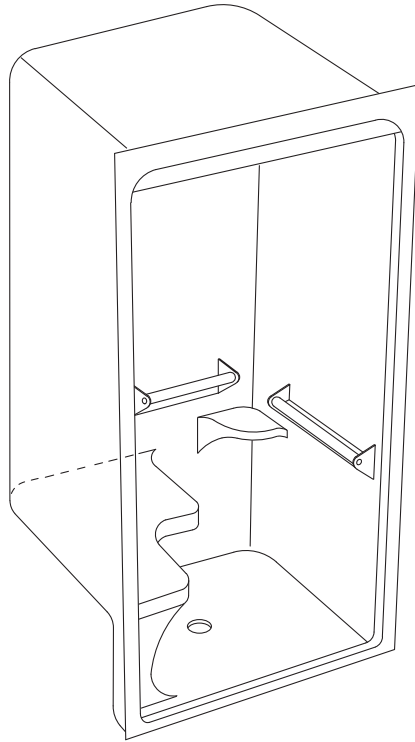


XSA 4136 BF .875 BH

inches

SHOWER

41 1/4" W x 36 1/4" D x 82 7/8" H



FEATURES

- 7/8" profile height
- Slip resistant surface on floor
- Premium Cast Acrylic
- ArmorCore EasyBase bottom
- 30-year warranty*

STANDARDS AND RATINGS

- ADA
- ICC/ANSI 117.1
- CSA B45.5-11
- HUD-UM73
- IAPMO Z124
- Home Innovation Research Lab

Code compliant when fully equipped and installed according to guidelines.

*See terms and conditions for details.

COLOR & TRIM OPTIONS

Stock	Code
White	WHT
Biscuit	BIS

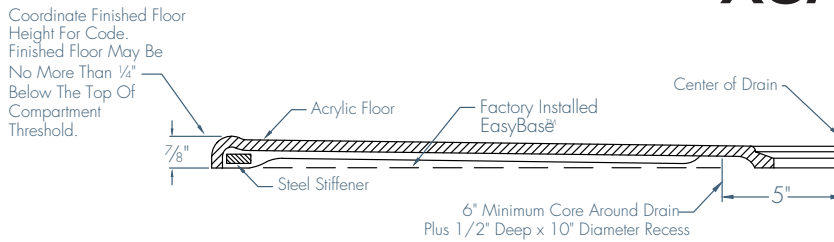
Additional custom colors available.
(Contact Customer Service)

XSA 4136 BF .875 BH

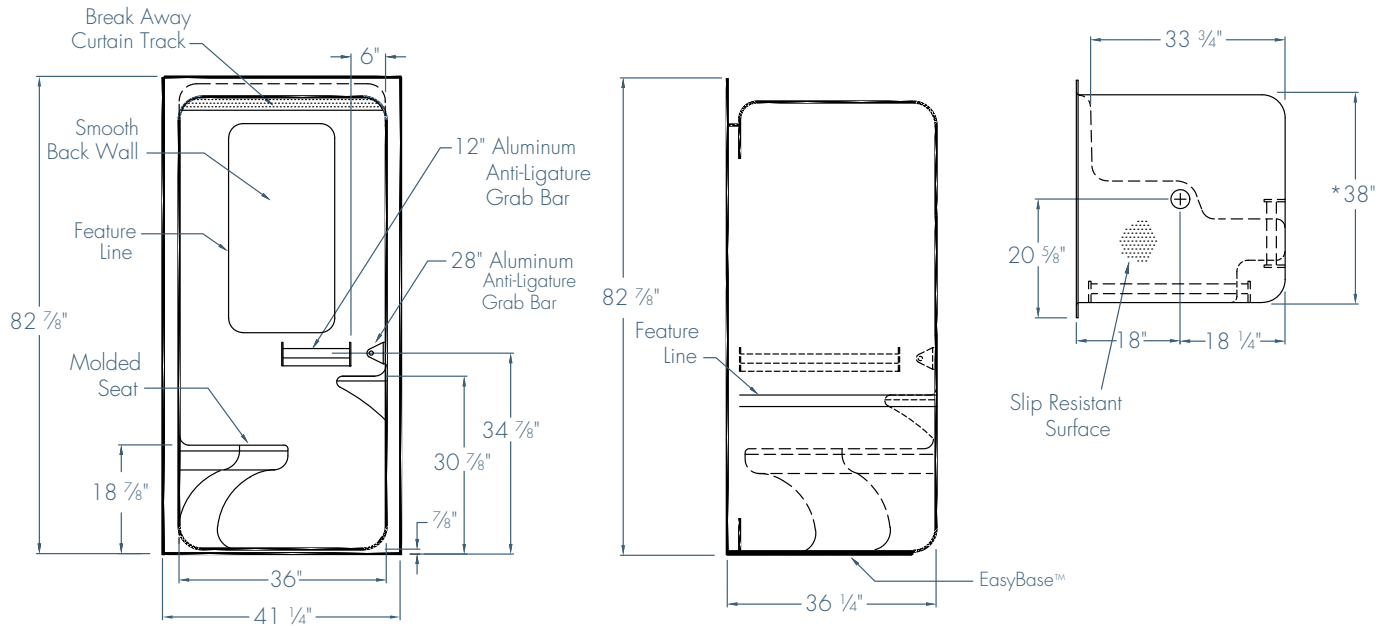
Exterior Dimensions

41 1/4" W x 36 1/4" D x 82 7/8" H
inches

Installation instructions can be found on the Comfort Designs website.



FRONT VIEW



FEATURES Dimensional Tolerance $\pm \frac{1}{8}$ ". Dimensions needed for site preparation should be measured from the unit. Comfort Designs assumes no responsibility for preparatory work.

Type and Model #	Material	Drain	Threshold Height	Pkg. Wt. lbs
Shower #XSA 4136 BF .875 BH	Cast Acrylic	Center	7/8"	150

DIMENSIONS

Specifications	inches
Width: ext. / int.	41 1/4 / 36
Depth: ext. / int.	36 1/4 / 36
Height: ext. / int.	82 7/8 / 80 7/8

FRAMING DIMENSIONS inches

Type	D Depth	W Width	H Height	A	B	C
Alcove	36	38 1/4	-	Box Out	19 1/8	18 1/4

