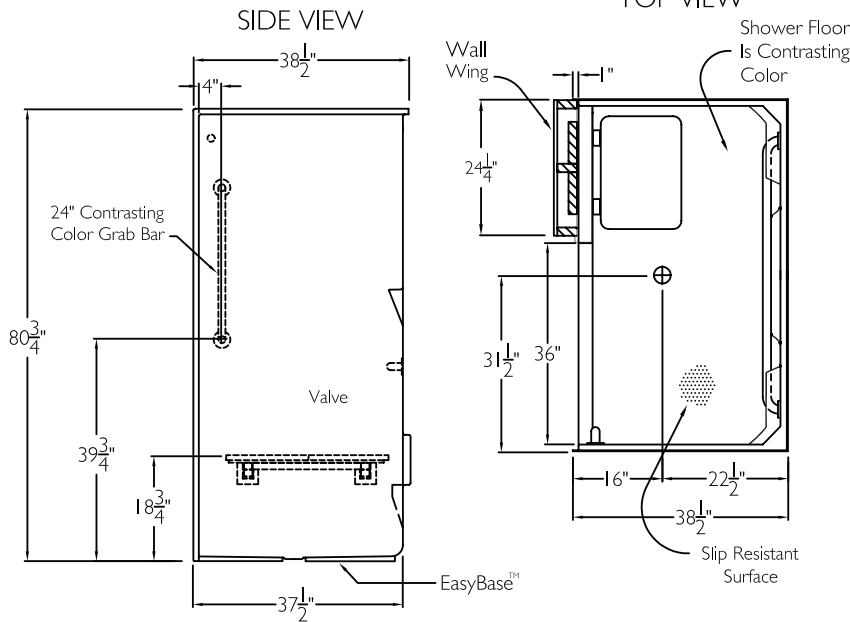
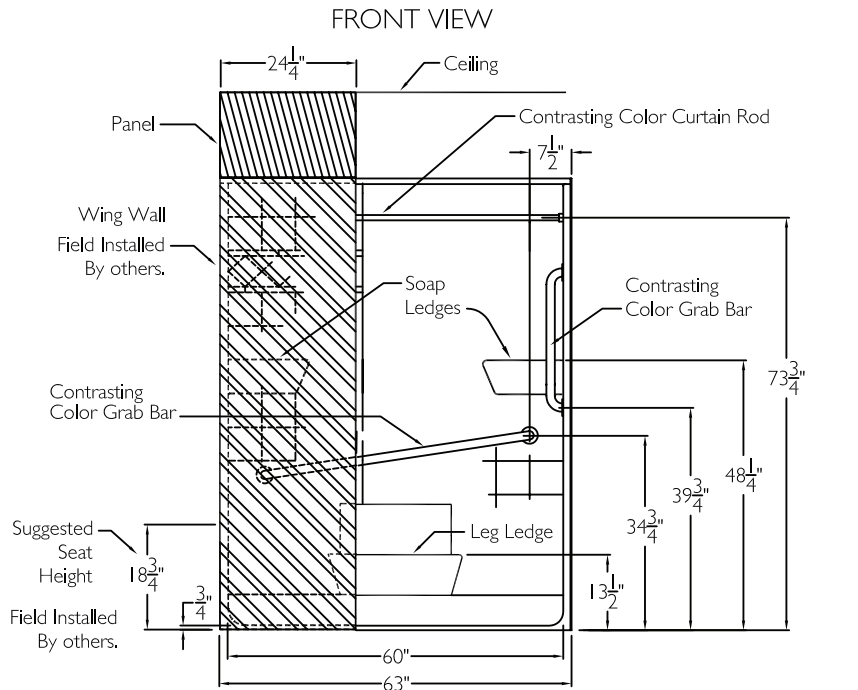
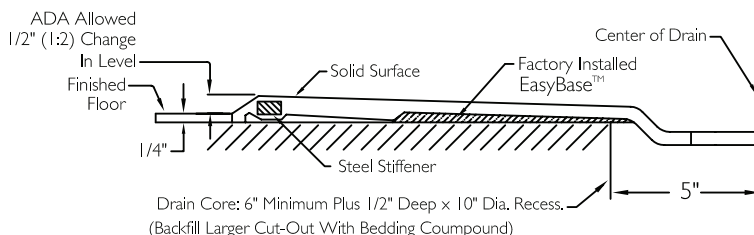


CD Product Sheet  
**ONE SOURCE**  
**SST 6336 BF COL WW MC**

**ONE SOURCE**  
 Enhancing Livable Design

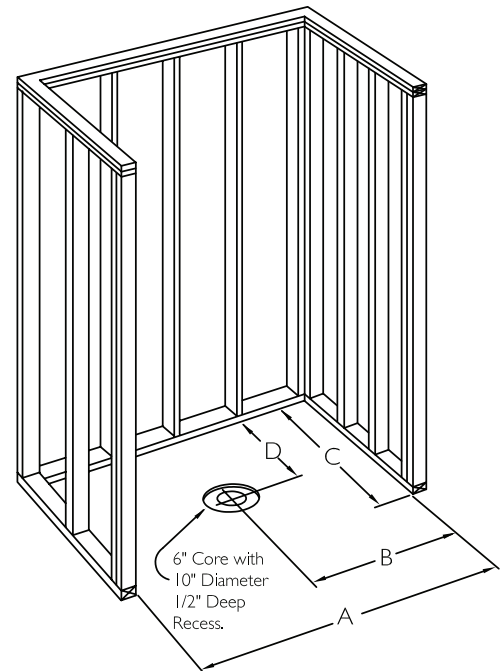


**CROSS SECTION OF THRESHOLD**



**TECHNICAL INFORMATION**

OD 63" x 38.5" x 80.75"  
 LOAD FACTOR 2  
 HANDED BY Valve Wall



**FRAMING DIMENSIONS**

A 63.25" B 31.625"  
 C 38.5" D 22.5"

**ADDITIONAL CODES**

ANSI Z124.1-2, ANSI A117.1, ADA,  
 HUD, BOCA, NAHB, UPC, Southern  
 Building Code

**cd**  
**comfortdesigns**