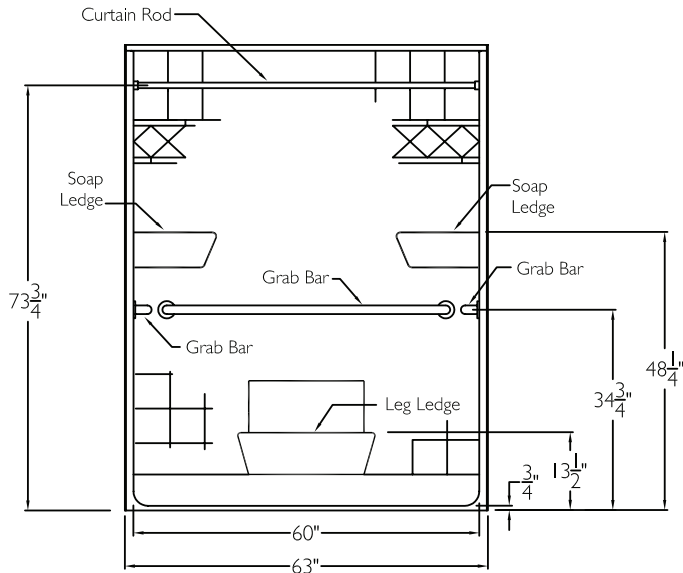


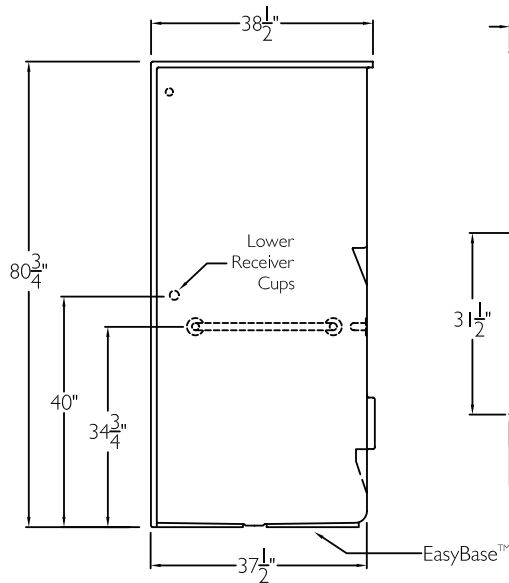
CD Product Sheet
ONE SOURCE
XST 6337 BF .75 SN

ONE SOURCE
 Enhancing Livable Design

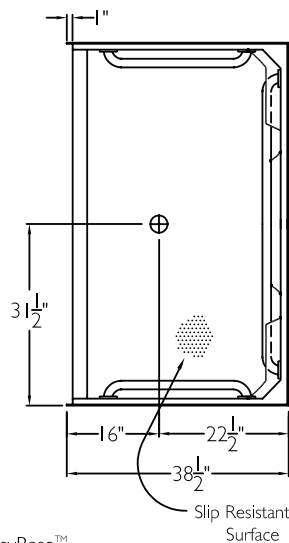
FRONT VIEW



SIDE VIEW

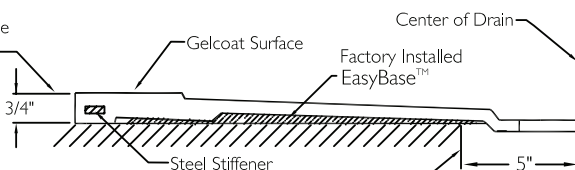


TOP VIEW



CROSS SECTION OF THRESHOLD

Coordinate Finished Floor Height For Code. Finished Floor May Be No More Than 1/4" Below The Top Of Compartment Threshold.



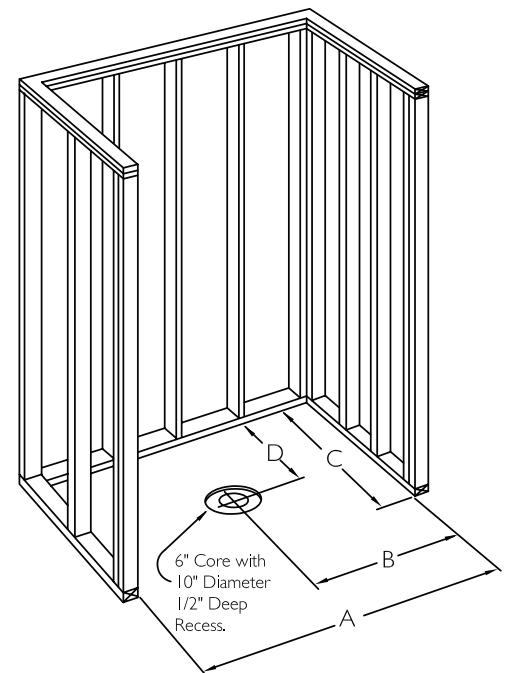
Drain Core: 6" Min. Plus 1/2" Deep x 10" Recess. (Backfill Larger Cutout With Bedding Compound)

TECHNICAL INFORMATION

OD 63" x 38.5" x 80.75"

LOAD FACTOR 1.26

HANDED BY Valve Wall



FRAMING DIMENSIONS

A 63.25" B 31.625"

C 38.5" D 22.5"

ADDITIONAL CODES

ANSI Z124.1-2, ANSI A117.1, ADA, HUD, BOCA, NAHB, UPC, Southern Building Code

cd
 comfortdesigns

comfortdesignsbathware.com | 800.443.7269