

CD Technical Data Sheet
ACCESSIBLE
XSA6034TOTL

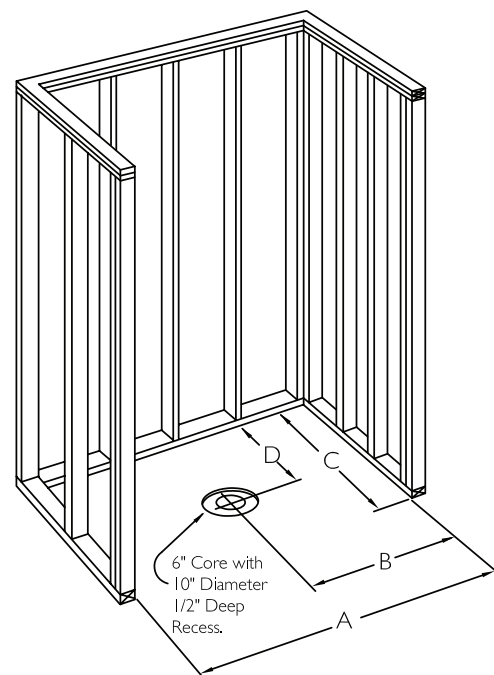
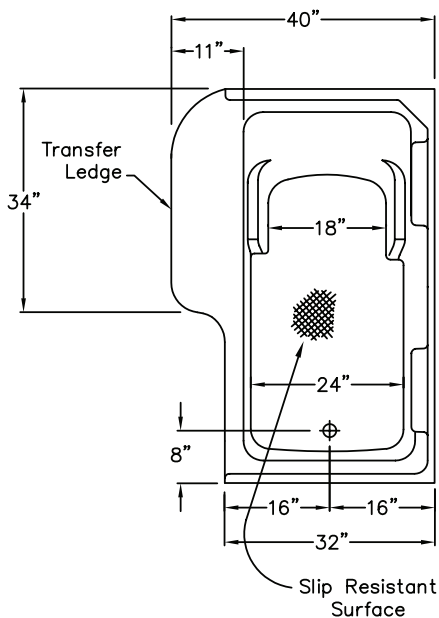
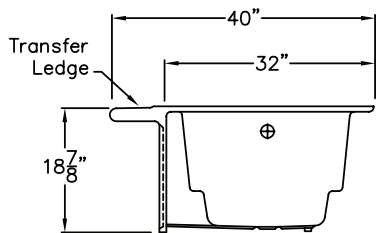
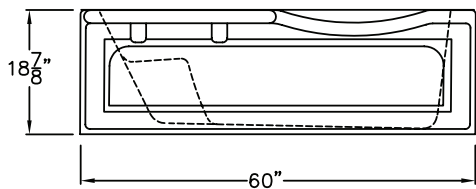
ACCESSIBLE
 Enhancing Livable Design

TECHNICAL INFORMATION

OD 60" x 32" x 18.875"

LOAD FACTOR 0.55

HANDED BY Drain



FRAMING DIMENSIONS

A 60.25" B 8.125"
 C 32" D 16"

ADDITIONAL CODES

ICC/ANSI 17.1, ANSI 24.2, BOCA,
 NAHBUPC, Southern Building Code



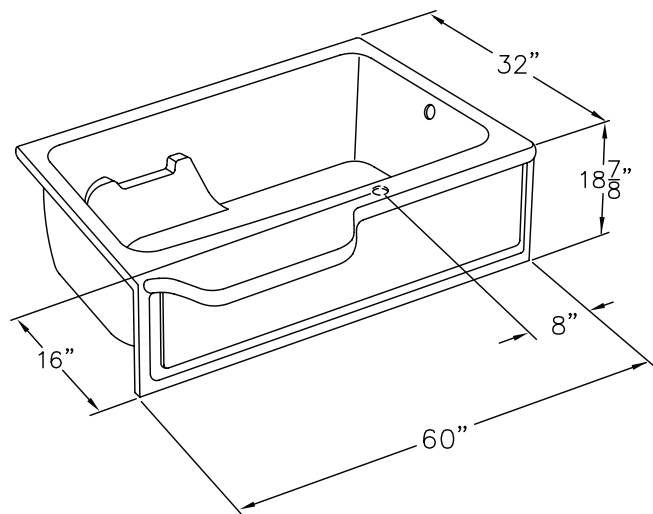
CD Technical Data Sheet

COMMERCIAL ACCESSIBLE

6034TO TL

OD 60" x 32" x 18.875"

COMFORT PACKAGE 5438TS TL-1 shown in drawing



STANDARD FEATURES

Acrylic finish- 5 year limited warranty
GripSure textured floor

NOTICE OF LIMITATION

Unit must be properly leveled to insure maximum drainage

FINISH COLOR SELECTION (Check One)



WT



ACRYLIC: WT-white

ACCESSIBLE
Enhancing Livable Design

ACCESSIBLE PACKAGES (Check One)

Includes standard features plus Tri-Cell honeycomb wall construction and all accessories detailed below.

ACRYLIC COMFORT PACKAGE

XSA6034TO TL-1 \$2,554

integral transfer ledge, air jets

BUILD TO ORDER BASE MODELS (Check One)

Standard features only. All additional options must be selected from modify package options list.

ACRYLIC BASE MODEL

XSA6034TO TL \$1,564

integral transfer ledge

MODIFY PACKAGE OPTIONS

After selecting base model or prepackaged model, select modify package options to add or change options. Add nomenclature in bold to prepackaged model number. Example: MODEL#-I-PB for pressure balancing mixing valve option.

P3

**not available on solid surface models*

P3 P3 Armorshield \$177

TRIM

TK Trim Kit \$192

cd
comfortdesigns

comfortdesignsbathware.com | 800.443.7269