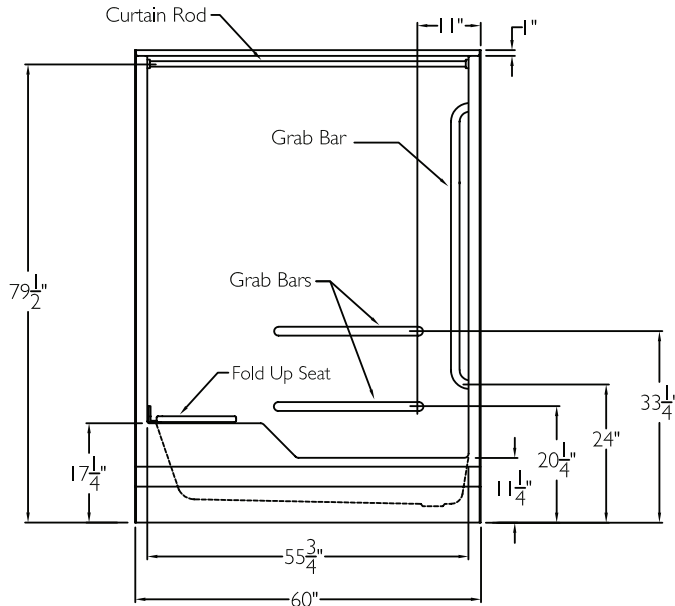


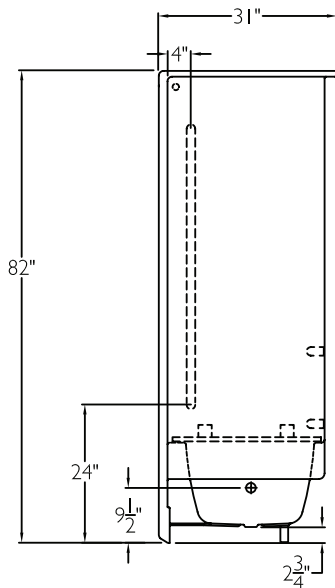
CD Product Sheet  
**ONE SOURCE**  
**XSS 6009 TS PED**

**ONE SOURCE**  
 Enhancing Livable Design

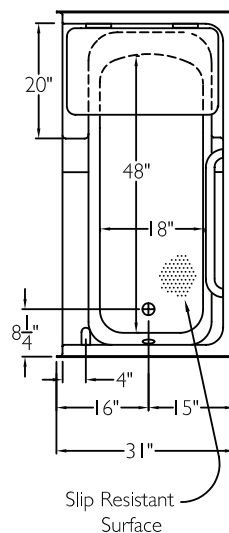
FRONT VIEW



SIDE VIEW



TOP VIEW

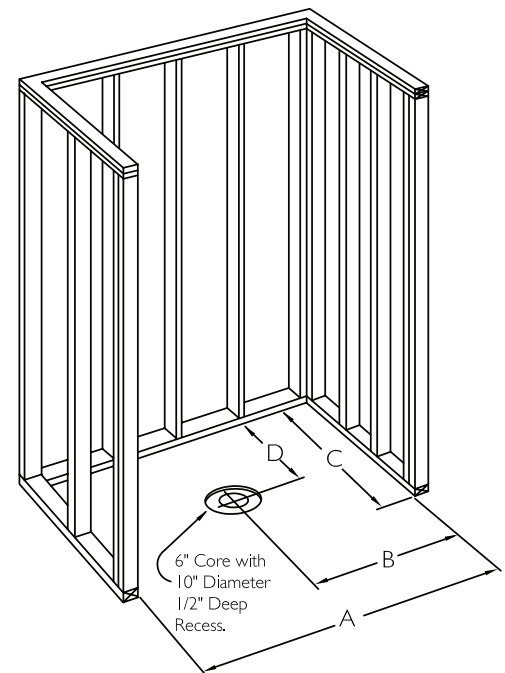


TECHNICAL INFORMATION

OD 60" x 31" x 79.5"

LOAD FACTOR 1.26

HANDED BY Drain



FRAMING DIMENSIONS

A 60.25" B 8.375"

C 31" D 15"

ADDITIONAL CODES

ANSI Z124.1-2, HUD, BOCA, NAHB,  
 UPC, Southern Building Code

