

CD Product Sheet
ONE SOURCE
XSA 5438 TS TL PED

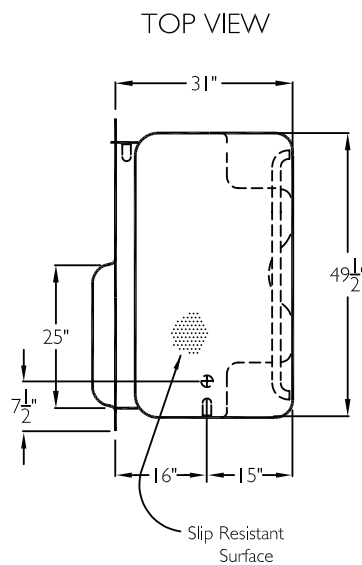
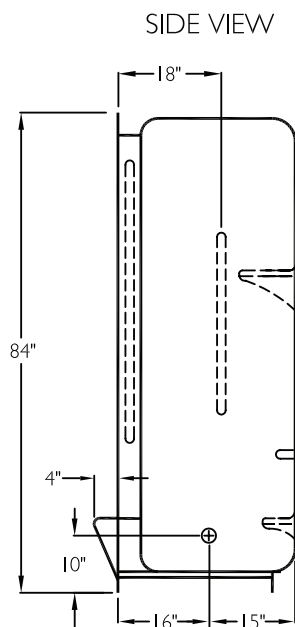
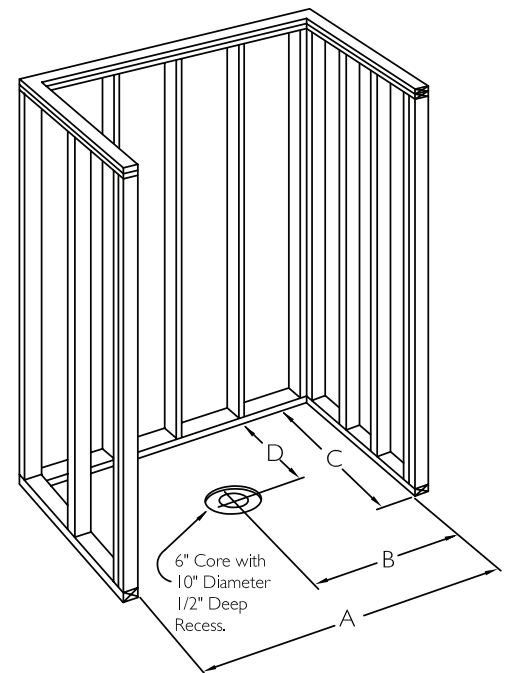
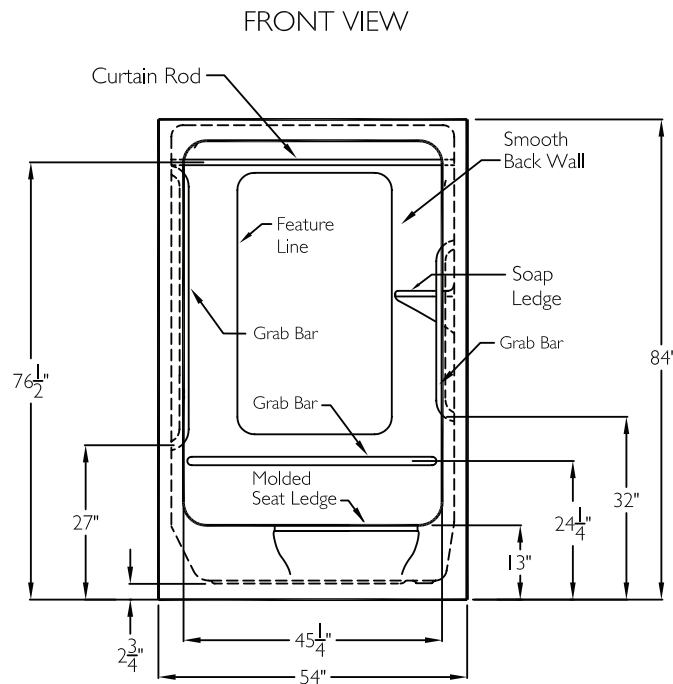
ONE SOURCE
 Enhancing Livable Design

TECHNICAL INFORMATION

OD 54" x 31" x 84"

LOAD FACTOR 1.4

HANDED BY Drain



FRAMING DIMENSIONS

A 54.25" B 7.625"

C 31" D 15"

ADDITIONAL CODES

ANSI Z124.1-2, HUD, BOCA, NAHB,
 UPC, Southern Building Code

cd
 comfortdesigns

comfortdesignsbathware.com | 800.443.7269