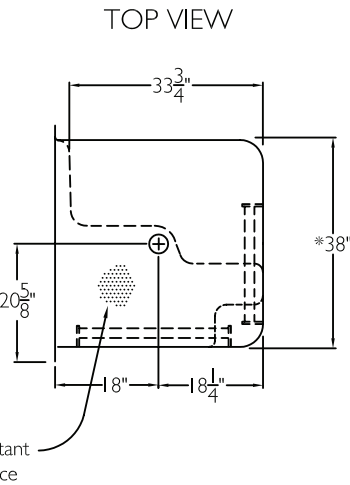
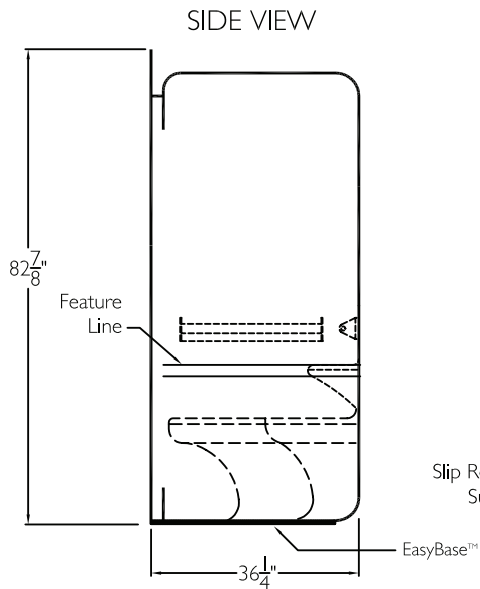
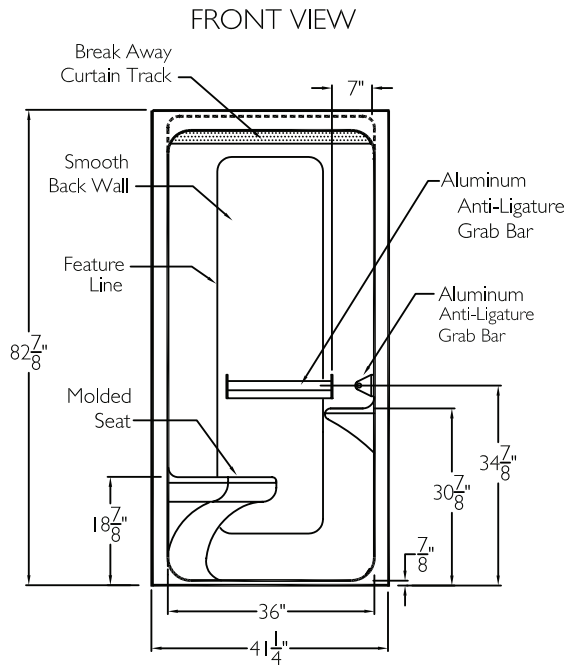


CD Product Sheet
ONE SOURCE
XSA 4136 BF .875 BH

ONE SOURCE
 Enhancing Livable Design

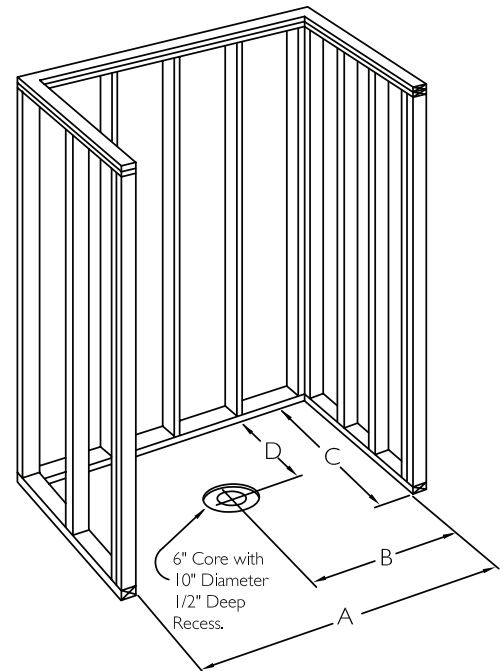


TECHNICAL INFORMATION

OD 41.25" x 36.25" x 82.875"

LOAD FACTOR 1.06

HANDED BY Seat



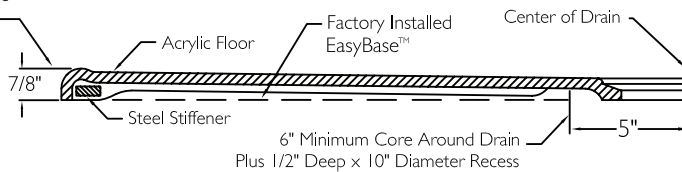
FRAMING DIMENSIONS

A 38.25" B 19.125"

C 36.25" D 18.25"

CROSS SECTION OF THRESHOLD

Coordinate Finished Floor Height For Code. Finished Floor May Be No More Than 1/4" Below The Top Of Compartment Threshold.



ADDITIONAL CODES

ANSI Z124.1-2, ANSI A117.1, ADA, HUD, BOCA, NAHB, UPC, Southern Building Code

cd
comfortdesigns