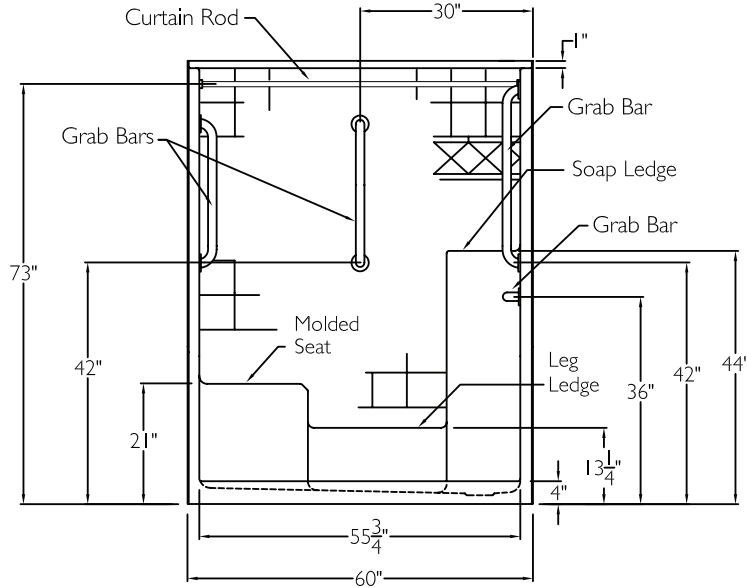


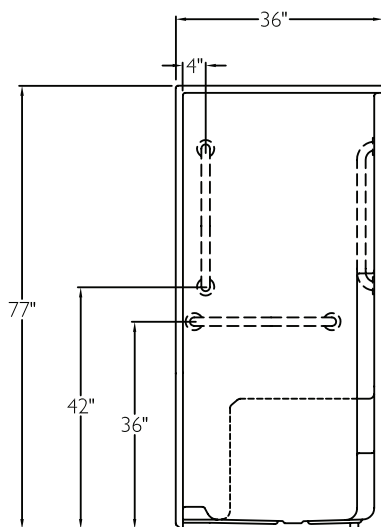
CD Product Sheet
ONE SOURCE
XST 6036 SH MS LDR

ONE SOURCE
 Enhancing Livable Design

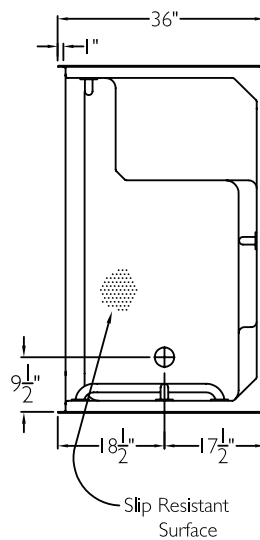
FRONT VIEW



SIDE VIEW



TOP VIEW

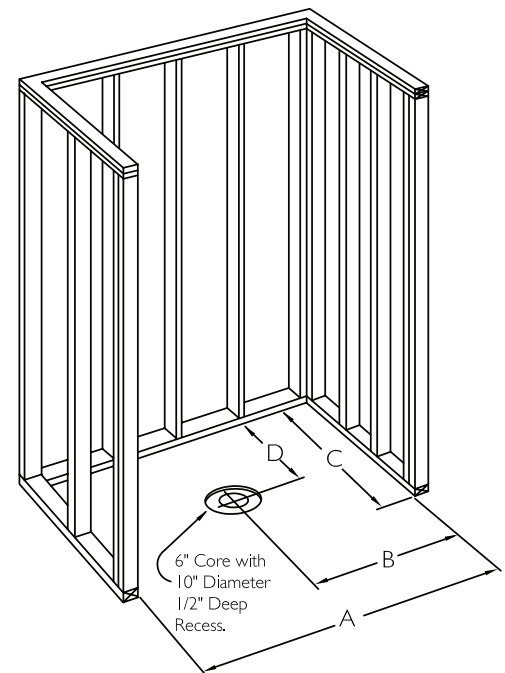


TECHNICAL INFORMATION

OD 60" x 36" x 77"

LOAD FACTOR 1.26

HANDED BY Seat



FRAMING DIMENSIONS

A 60.25" B 9.625"

C 36" D 17.5"

ADDITIONAL CODES

ANSI Z124.1-2, HUD, BOCA, NAHB,
 UPC, Southern Building Code

cd
 comfortdesigns

comfortdesignsbathware.com | 800.443.7269