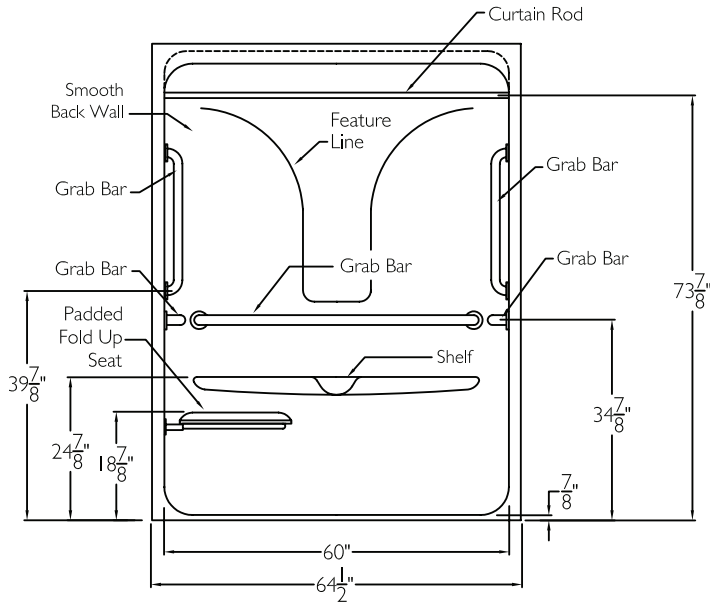


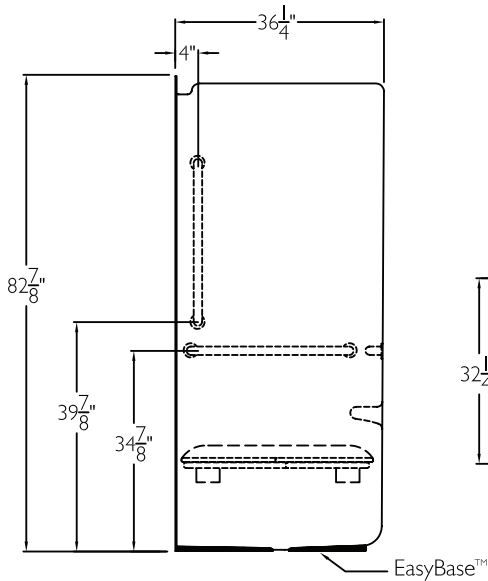
CD Product Sheet
ONE SOURCE
XSA 6436 BF .875 SUR REC

ONE SOURCE
 Enhancing Livable Design

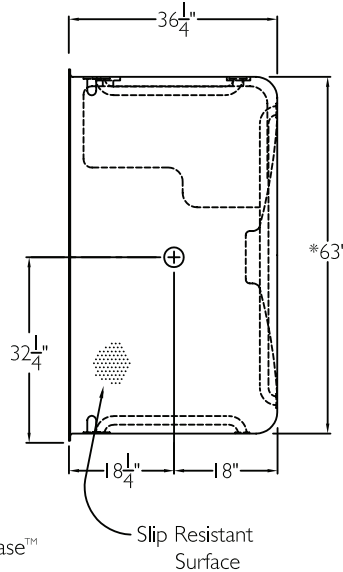
FRONT VIEW



SIDE VIEW

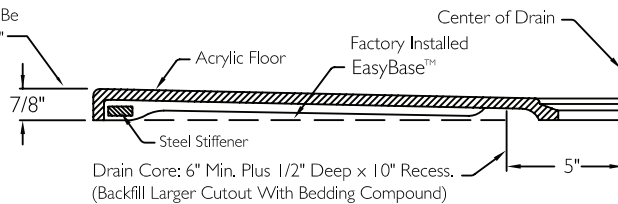


TOP VIEW



CROSS SECTION OF THRESHOLD

Coordinate Finished Floor Height For Code. Finished Floor May Be No More Than 1/4" Below The Top Of Compartment Threshold.

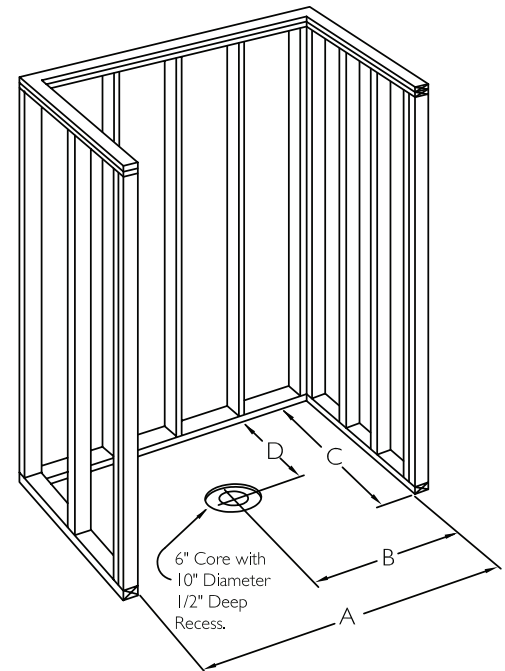


TECHNICAL INFORMATION

OD 64.5" x 36.25" x 82.875"

LOAD FACTOR 2

HANDED BY Valve Wall



FRAMING DIMENSIONS

A 63.25" B 31.625"

C 36.25" D 18"

ADDITIONAL CODES

ANSI Z124.1-2, CSA, BOCA, NAHB, UPC, Southern Building Code

cd
 comfortdesigns