

CD Product Sheet
ACCESSIBLE
XST6032SH MS

MILLENNIA
 Enhancing Livable Design

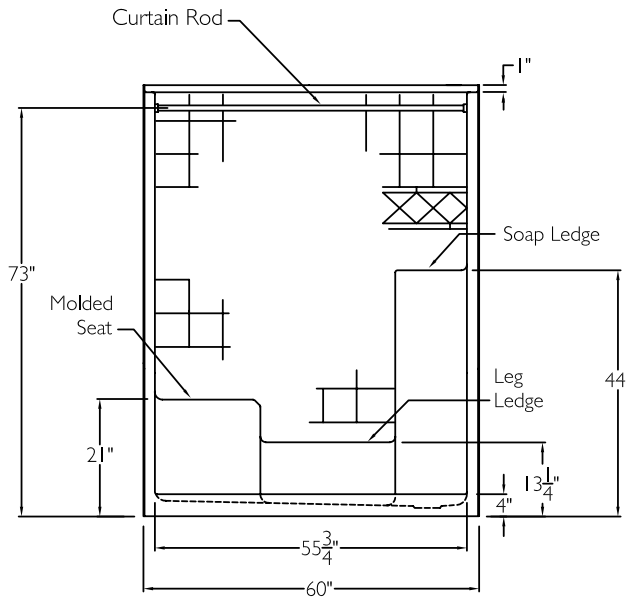
TECHNICAL INFORMATION

OD 60" x 33" x 77"

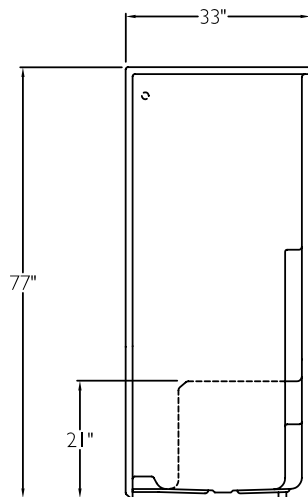
LOAD FACTOR 1.13

HANDED BY Seat

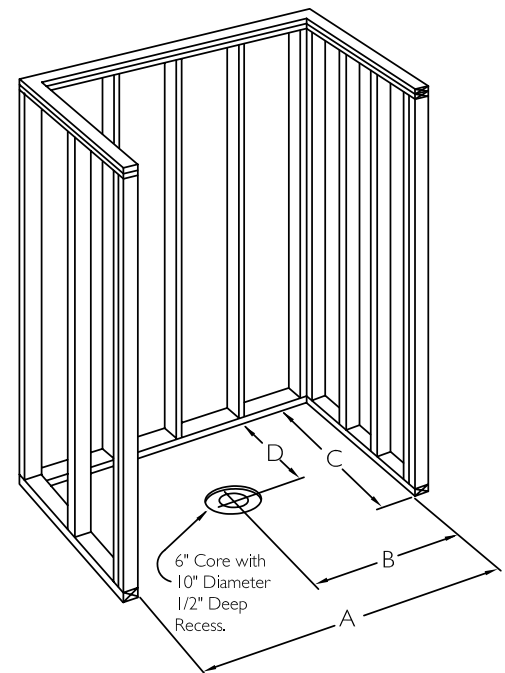
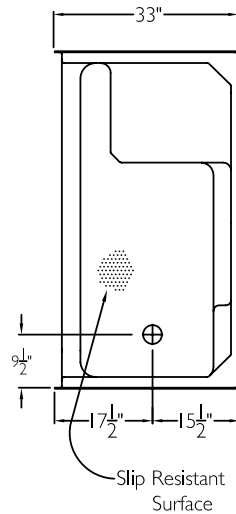
FRONT VIEW



SIDE VIEW



TOP VIEW



FRAMING DIMENSIONS

A 60.25" B 9.625"
C 33" D 15.5"

ADDITIONAL CODES

ICC/ANSI 17.1, ANSI 24.2, ADAAG,
 BOCA, NAHBUPC, Southern Building
 Code

