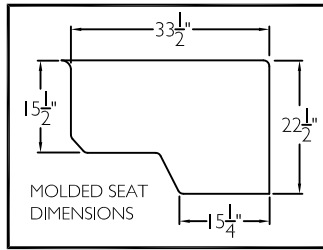
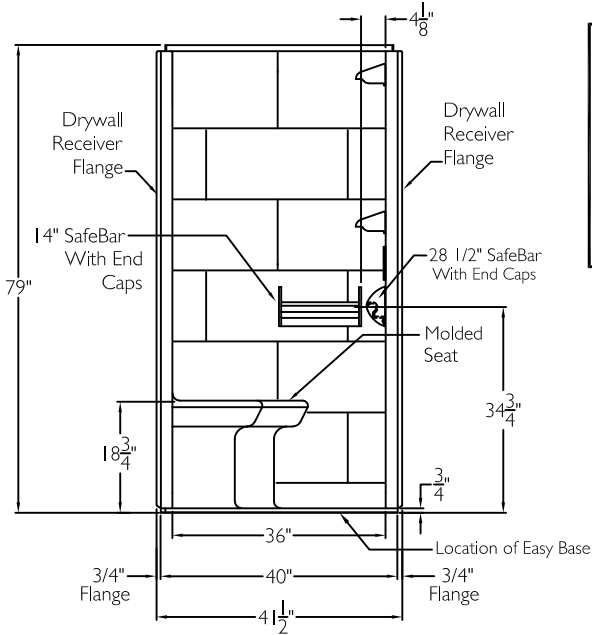


FRONT VIEW



SPECIFICATION SHEET

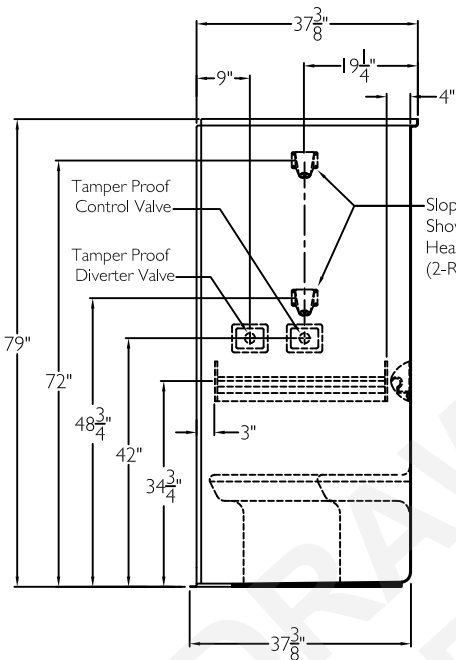
This shower enclosure shall be model SST 3838 TR .75 RRF left, or right. Finished surface shall be of a sanitary grade solid surface. The base shall be attached to the sump in such manner to form an integral part with an inner and outer coating of polyester resin. Unit construction shall be of a molded reinforced fiberglass with a 15% minimum fiberglass content.

The unit shall have outside dimensions of 38 1/2" x 37 3/8" x 79". The unit shall meet ANSI Z124.1.2, CSA B45.5, ADA, and ICC/ANSI A117.1.

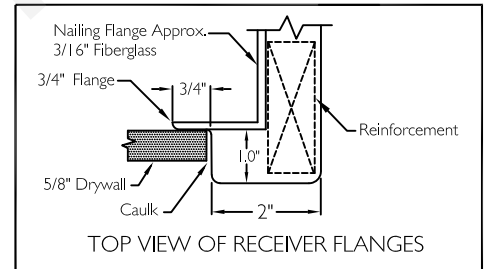
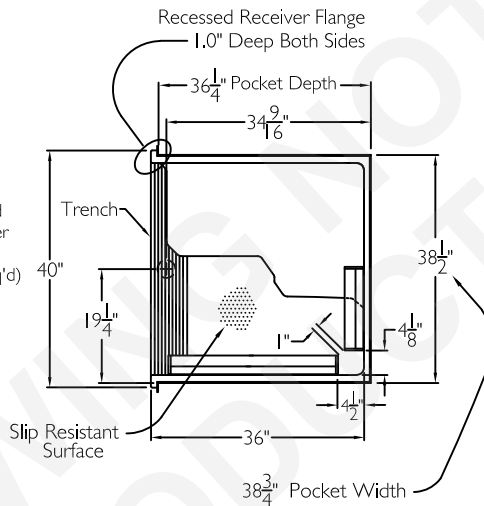
HANDED BY THE VALVE

- The enclosure shall be equipped with the following accessories:
- 1) One 14" SafeBar Anti-Ligature horizontal bar on the back wall,
  - 2) One 28 1/2" SafeBar Anti-Ligature horizontal bar on the valve wall, bars include end caps, secured from the rear with stainless steel bolts, and full length metal angle iron,
  - 3) Molded ADA style seat,
  - 4) Molded recessed receiver flanges on each side,
  - 5) Subway tile pattern,
  - 6) Integral front trench drain,
  - 7) Factory installed valve package for ADA and tamper proof configurations, includes control valve, diverter valve, vacuum breaker, and two sloped shower heads,
  - 8) Factory installed Armor Core Easy Base,
  - 9) 3/4" threshold.

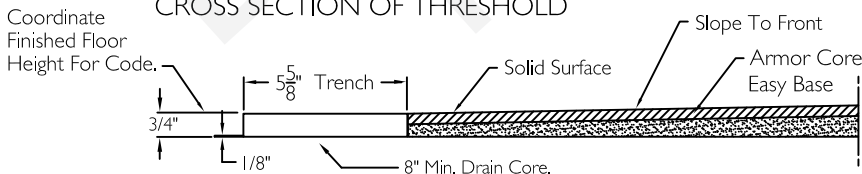
SIDE VIEW



TOP VIEW



CROSS SECTION OF THRESHOLD



THIS UNIT FEATURES THE OUTSIDE DIMENSION OF 38 1/2" OF OVERALL WIDTH. THIS DOES NOT ALLOW FOR FULL ENCLOSURE OF THE BOLTS AND NUTS USED TO SECURE THE BARS AND SEAT IN PLACE. THE BOLT AND NUT COMBINATION SHOULD NOT PROTRUDE MORE THAN 3/4" ON EITHER SIDE OF THE SHOWER WALLS, THIS MAY REQUIRE THE NEED TO NOTCH STUDS TO ALLOW BOLT CLEARANCE FOR A DRYWALL ENCLOSED FIRE WALL INSTALLATION. ADJUSTMENT OF THE WALL BOARD MAY BE NECESSARY TO PROVIDE CLEARANCE OF THE BOLT(S) WHILE MAINTAINING THE INTEGRITY OF THE DRYWALL ENCLOSED FIRE WALL ENCLOSURE.

NOTE: THIS UNIT WILL NOT ACCEPT A DOOR.

Job Name	Approved By Print Name	Date	COMFORT DESIGNS	
Project No	Approved By Signature		Model No. SST 3838 TR .75 MS RRF ADA-PHYC	
Comfort Designs 435 Industrial Road Savannah, TN 38372 tel 800.443.7269 fax 731.925.4290 www.comfortdesignsbathware.com	Architect		Drawing No. SST 3838 TR .75 RRF L-SafeBar Config MS Tamp Proof ADA VP Easy Base	
	Engineer		Date Issued. 4-16-14	Drawing Rev. 7-6-20
	Rep		Material. Solid Surface	
	Wholesaler		Color.	
	Comments			Dimensions are in inches. Due to the nature of the materials dimensions may vary ± 1/2"