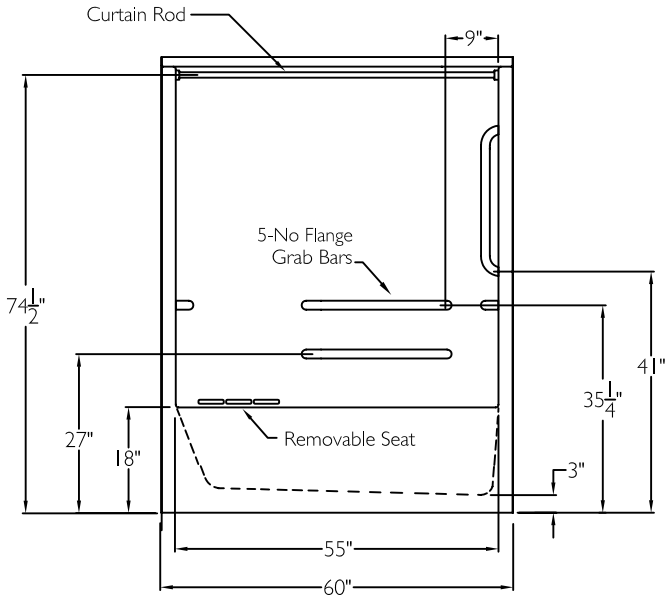
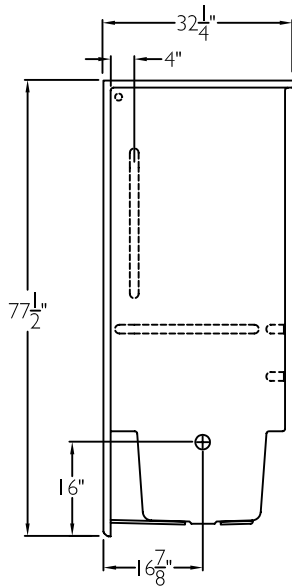


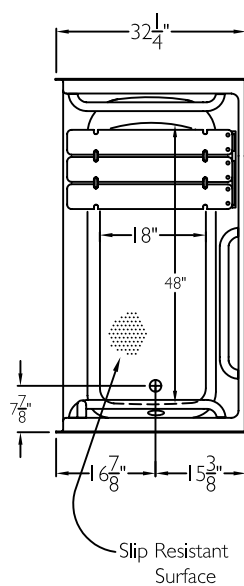
FRONT VIEW



SIDE VIEW



TOP VIEW



SUBMITTAL

This shower enclosure shall be model XSS 6092 TS. Finished surface shall be of a sanitary grade polyester gelcoat exhibiting a minimal thickness of 15 dry mils and a finished cured Barcoal hardness of 80-90 as tested with ASTM D-2583. Unit construction shall be of a molded reinforced fiberglass with a 15% minimum fiberglass content.

The unit shall have outside dimensions of 60" x 32 1/4" x 77 1/2". The unit shall meet ANSI Z124.1-2, ANSI A117.1, ADA, HUD, BOCA, NAHB, UPC, CSA, and shall meet the requirements of the Southern Building Code.

The enclosure shall be equipped with the following accessories:  
 1) two 24" x 1 1/4" diameter 18 gauge white grab bars on the back wall, 2) two 24" x 1 1/4" 18 gauge white grab bars one on each side wall, 3) one 24" x 1 1/4" 18 gauge white grab bar on the valve wall, all with 1 1/2" statute clearance, secured from the rear with stainless steel bolts and 3" x 3" x 11 gauge metal mounting plates, 4) 28" x 15" white removable seat, 5) one inch diameter, 18 gauge white curtain rod with receiver cups, 6) tri cell backing.

OPTIONAL ACCESSORIES:	
Factory Plumbing Install Option:	<input type="checkbox"/> YES <input type="checkbox"/> NO
<input type="checkbox"/> PB Pressure Balancing Mixing Valve	(ADA / ANSI)
<input type="checkbox"/> HH Hand held shower assembly with slide bar, vacuum breaker and 60" hose	(ADA / ANSI)

THIS UNIT FEATURES THE OUTSIDE DIMENSION OF 60" OF OVERALL WIDTH. THIS DOES NOT ALLOW FOR FULL ENCLOSURE OF THE BOLTS AND NUTS USED TO SECURE THE BARS AND SEAT IN PLACE. THE BOLT AND NUT COMBINATION SHOULD NOT PROTRUDE MORE THAN 3/4" ON EITHER SIDE OF THE SHOWER WALLS. THIS MAY REQUIRE THE NEED TO NOTCH STUDS TO ALLOW BOLT CLEARANCE FOR A DRYWALL ENCLOSED FIRE WALL INSTALLATION. ADJUSTMENT OF THE WALL BOARD MAY BE NECESSARY TO PROVIDE CLEARANCE OF THE BOLT(S) WHILE MAINTAINING THE INTEGRITY OF THE DRYWALL ENCLOSED FIRE WALL ENCLOSURE.

NOTE: THIS UNIT WILL NOT ACCEPT A DOOR.

Job Name	Approved By	Name	Date	COMFORT DESIGNS		
Project No	Architect			Model No. XSS 6092 TS ADA-I		
Comfort Designs 435 Industrial Road Savannah, TN 38372 tel 800.443.7269 fax 731.925.4290 www.comfortdesignsbathware.com	Engineer			Drawing No. XSS 6092 TS 5- White No Flange Grab Bars RS WCR		
	Rep			Date Issued. 4-5-12	Drawing Rev.	
	Wholesaler			Material. Gelcoat		
	Comments			Color.		
				Dimensions are in inches. Due to the nature of the materials dimensions may vary ± 1/2"		