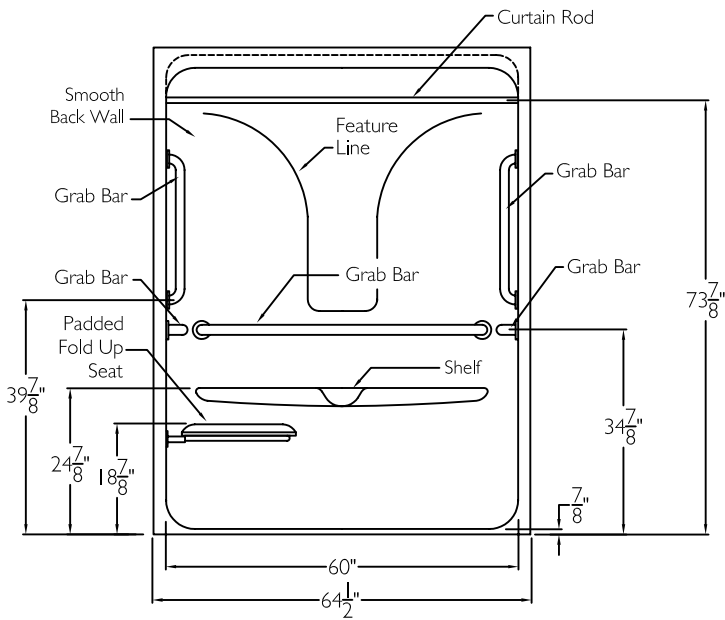
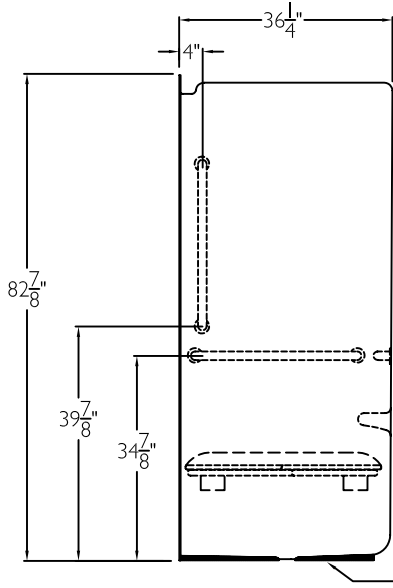


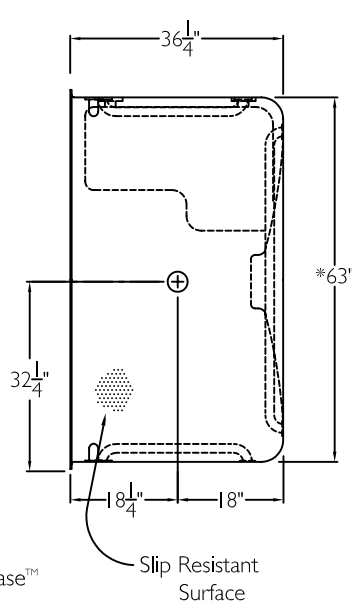
FRONT VIEW



SIDE VIEW

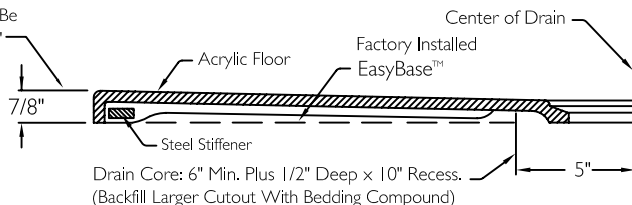


TOP VIEW



CROSS SECTION OF THRESHOLD

Coordinate Finished Floor Height For Code. Finished Floor May Be No More Than 1/4" Below The Top Of Compartment Threshold.



SUBMITTAL

This shower enclosure shall be model XSA 6436 BF .875 right, or left. Finished surface shall be of a sanitary grade acrylic exhibiting a minimal thickness of 15 dry mils and a finished cured Barcoal hardness of 80-90 as tested with ASTM D-2583. Unit construction shall be of a molded reinforced fiberglass with a 15% minimum fiberglass content.

The unit shall have outside dimensions of 64 1/2" x 36 1/4" x 82 7/8"

The unit shall meet ANSI Z124.1-2. HUD, FHA, BOCA, NAHB, UPC, and shall meet the requirements of the Southern Building Code.

The enclosure shall be equipped with the following accessories:

- 1) One 48" x 1 1/4" diameter 18 gauge white grab bar on the back wall,
- 2) two 24" x 1 1/4" 18 gauge white grab bar on each side wall,
- 3) two 24" x 1 1/4" 18 gauge white grab bar vertical on each side wall, all with 1 1/2" statute clearance, secured from the rear with stainless steel bolts and 3" x 3" x 11 gauge metal mounting plates,
- 4) white 32" x 21" frameless padded fold up seat,
- 5) smooth back wall with no diamond pattern,
- 6) molded shelf,
- 7) one inch diameter 18 gauge white curtain rod,
- 8) tri cell backing,
- 9) EasyBase™ self sustaining bottom,
- 10) 7/8" threshold.

OPTIONAL ACCESSORIES:

Factory Plumbing Install Option:  YES  NO

PB Pressure Balancing Mixing Valve (ADA / ANSI)

HH Hand held shower assembly with slide bar, vacuum breaker and 60" hose (ADA / ANSI)

THIS UNIT FEATURES THE OUTSIDE DIMENSION OF 64 1/2" OF OVERALL WIDTH. THIS DOES NOT ALLOW FOR FULL ENCLOSURE OF THE BOLTS AND NUTS USED TO SECURE THE BARS AND SEAT IN PLACE. THE BOLT AND NUT COMBINATION SHOULD NOT PROTRUDE MORE THAN 3/4" ON EITHER SIDE OF THE SHOWER WALLS. THIS MAY REQUIRE THE NEED TO NOTCH STUDS TO ALLOW BOLT CLEARANCE FOR A DRYWALL ENCLOSED FIRE WALL INSTALLATION. ADJUSTMENT OF THE WALL BOARD MAY BE NECESSARY TO PROVIDE CLEARANCE OF THE BOLT(S) WHILE MAINTAINING THE INTEGRITY OF THE DRYWALL ENCLOSED FIRE WALL ENCLOSURE.

NOTE: THIS UNIT WILL NOT ACCEPT A DOOR.

Job Name	Approved By	Name	Date	COMFORT DESIGNS	
Comfort Designs 435 Industrial Road Savannah, TN 38372 tel 800.443.7269 fax 731.925.4290 www.comfortdesignsbathware.com	Project No	Architect		Model No. XSA 6436 BF .875 Sur Rec	
		Engineer		Drawing No. XSA 6436 BF .875 WHBW WHSW(2) VVSW(2) FHDP WCR EB	
		Rep		Date Issued, 4-4-12	Drawing Rev.
		Wholesaler		Material. Acrylic	
		Comments		Color.	
				Dimensions are in inches. Due to the nature of the materials dimensions may vary ± 1/2"	